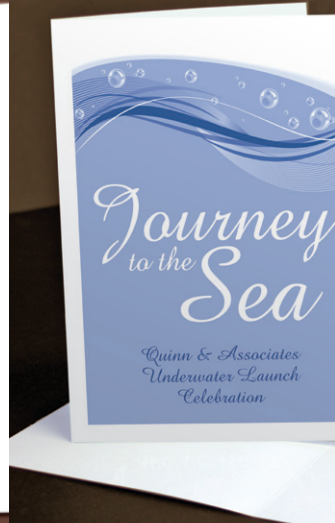


# Business Stationery

## PROFESSIONAL COLLECTION II



# Navitor Paper Guide

*Convey the image you want through your stock choice*

		Stock Name	Available Weights (C) Cover Weight • (W) Writing Weight	Business Cards	Letterhead	Stationery Envelopes
good quality	business value	White Vellum	80 lb. (C)	x		
		Ivory Vellum	80 lb. (C)	x		
		White Gloss Coated	12 pt. (C)	x		
		Economy Smooth (unwatermarked)	24 lb. (W)		x	
		White Wove	24 lb. (W)			x
		Capitol Bond® (25% Cotton)	20 lb. (W), 24 lb. (W)		x	x
	business basics	White Vellum	100 lb. (C)	x		
		Bright White Linen	80 lb. (C), 24 lb. (W)	x	x	x
		Warm White Linen	80 lb. (C), 24 lb. (W)	x	x	x
		Gray Linen	80 lb. (C), 24 lb. (W)	x	x	x
White Laid		80 lb. (C), 24 lb. (W)	x	x	x	
Ivory Laid		80 lb. (C), 24 lb. (W)	x	x	x	
Gray Laid		80 lb. (C), 24 lb. (W)	x	x	x	
Gloss Coated Black, C1S		12 pt. (C)	x			
Gloss Coated Silver, C1S	12 pt. (C)	x				
superior quality	business advantage	Classic Crest®	80 lb. (C), 24 lb. (W)	x	x	x
		Classic® Linen	80 lb. (C), 24 lb. (W)	x	x	x
		Classic® Laid	80 lb. (C), 24 lb. (W)	x	x	x
		Environment ♻️ (100% Recycled)	80 lb. (C), 24 lb. (W)	x	x	x
		Crushed White	80 lb. (C), 24 lb. (W)	x	x	x
		Cougar® Opaque	100 lb. (C)	x		
		Strathmore Writing	88 lb. (C), 24 lb. (W)	x	x	x
		Starwhite® Tiara Solid Bristol Smooth	120 lb. (C)	x		
	business premier	Classic Crest®	110 lb. (C), 130 lb. (C)	x		
		Strathmore Writing (25% Cotton)	110 lb. (C), 130 lb. (C)	x		
		UV/Ultra® II Radiant White Translucent	36 lb. (C)	x		
		Crane's Crest (100% Cotton)	80 lb. (C), 24 lb. (W)	x	x	x
Crane's Bond (100% Cotton)	24 lb. (W)		x	x		

## Texture/Finish

The physical appearance and feel of the paper.

- Cotton Bond - clean, high performance finish that works beautifully for any application. Much of the recovered cotton fibers are by-products of garment factories, requiring far fewer chemicals to produce than wood paper and yielding far less waste.
- Gloss Coated - a shiny or reflective finish is characteristic of this durable stand-out.
- Laid - recognizable for its set of fine lines that run the length of the paper reminiscent of handmade paper, this textured paper adds depth to any imprint.
- Linen - long considered a distinctive paper finish, it can be easily recognized by the vertical and horizontal lines crossing the paper. This remarkable paper truly gives the appearance of fine linen.
- Smooth - clean, high performance finish that works for most applications.
- Vellum - heavy white or off-white fine-quality paper named for the parchments used in ancient books and manuscripts.
- Wove - this paper feels smooth and substantial and conveys sophistication in both look and touch.

## Weight

The Basis Weight of paper is defined as the number of pounds that 500 sheets of a certain size weighs. In most cases, the higher the weight the heavier the feel of the paper. Generally, a heavier weight is perceived as being of higher quality. Papers in the Navitor line are available in a range from 24 lb. writing to 130 lb. cover.

## Brightness

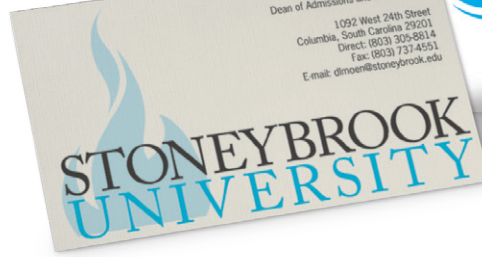
A technical measurement of the light reflected back from a paper. The brightness of white and near-white papers can be considered as the whiteness of the paper as it appears to the eye. Brightness affects the contrast, color values, and attractive appearance of a printed product. Generally, 100 is the highest "brightness" that can be calibrated. Papers in the Navitor line range in brightness from 91 to 98.

# Business Cards

## Standard & Special Inks & Foil Stamping

- Size: 3-1/2" x 2"
- Vertical or horizontal layout
- Thermography provided unless specified otherwise
- Choose from standard inks, special inks or foil stamping
- See special services on pages 17 & 18 for back copy, registration and bleed charges

Gray Linen - light blue & black



White Gloss Coated - green & light blue

### White Vellum 80 lb.: N2B-BC-001

	500	1000	Add'l 500 No Change
Black Ink	\$36.90	39.90	15.60
1 Standard Ink	\$39.90	42.90	15.60
1 Standard & Black Ink	\$48.90	51.90	15.60
2 Standard Inks	\$53.90	56.90	15.60
1 Special Ink	\$126.90	129.90	15.60
1 Standard & 1 Special Ink	\$138.90	141.90	15.60
2 Special Inks	\$228.90	231.90	15.60
1 Standard Foil*	\$136.45	149.15	30.35

(R) Prices Effective January, 2011

Additional charge for registration between two ink colors or ink and foil; see special services on pages 17-18. \*Pricing includes standard foil and recycled die. Dies are not returned.

Production Time- Ink: 1-2 Working Days  
Foil: 2-3 Working Days

### Ivory Vellum 80 lb.: N2B-BC-771

	500	1000	Add'l 500 No Change
Black Ink	\$63.90	66.90	20.80
1 Standard Ink	\$66.90	69.90	20.80
1 Standard & Black Ink	\$75.90	78.90	20.80
2 Standard Inks	\$80.90	83.90	20.80
1 Special Ink	\$153.90	156.90	20.80
1 Standard & 1 Special Ink	\$165.90	168.90	20.80
2 Special Inks	\$255.90	258.90	20.80
1 Standard Foil*	\$140.00	156.25	33.90

(R) Prices Effective January, 2011

Additional charge for registration between two ink colors or ink and foil; see special services on pages 17-18. \*Pricing includes standard foil and recycled die. Dies are not returned.

Production Time- Ink: 1-2 Working Days  
Foil: 2-3 Working Days

### White Vellum 100 lb.: N2B-BC-002

	500	1000	Add'l 500 No Change
Black Ink	\$57.70	60.70	17.70
1 Standard Ink	\$60.70	63.70	17.70
1 Standard & Black Ink	\$69.70	72.70	17.70
2 Standard Inks	\$74.70	77.70	17.70
1 Special Ink	\$147.70	150.70	17.70
1 Standard & 1 Special Ink	\$159.70	162.70	17.70
2 Special Inks	\$249.70	252.70	17.70
1 Standard Foil*	\$137.85	151.95	31.75

(R) Prices Effective January, 2011

Additional charge for registration between two ink colors or ink and foil; see special services on pages 17-18. \*Pricing includes standard foil and recycled die. Dies are not returned.

Production Time- Ink: 1-2 Working Days  
Foil: 2-3 Working Days

### Classic Crest®

- Solar White 80 lb.: N2B-BC-545
- Natural White 80 lb.: N2B-BC-550
- Avon Brilliant White 80 lb.: N2B-BC-709

### Classic® Linen

- Avon Brilliant White 80 lb.: N2B-BC-790
- Solar White 80 lb.: N2B-BC-789
- Baronial Ivory 80 lb.: N2B-BC-792
- Natural White 80 lb.: N2B-BC-791

### Classic® Laid

- Baronial Ivory 80 lb.: N2B-BC-543
- Natural White 80 lb.: N2B-BC-554
- Avon Brilliant White 80 lb.: N2B-BC-541

### Environment® Ultra Bright White 80 lb.: N2B-BC-767

### Crushed White 80 lb.: N2B-BC-236

### Cougar® Opaque Smooth White 100 lb.: N2B-BC-574

	500	1000	Add'l 500 No Change
Black Ink	\$80.60	83.60	26.00
1 Standard Ink	\$83.60	86.60	26.00
1 Standard & Black Ink	\$92.60	95.60	26.00
2 Standard Inks	\$97.60	100.60	26.00
1 Special Ink	\$170.60	173.60	26.00
1 Standard & 1 Special Ink	\$182.60	185.60	26.00
2 Special Inks	\$272.60	275.60	26.00
1 Standard Foil*	\$143.80	163.85	37.70

(R) Prices Effective January, 2011

Additional charge for registration between two ink colors or ink and foil; see special services on pages 17-18. \*Pricing includes standard foil and recycled die. Dies are not returned.

Production Time- Ink: 1-2 Working Days

Foil: 2-3 Working Days

### Starwhite® Tiara Solid Bristol Smooth 120 lb: N2B-BC-003

### Strathmore Writing

- Bright White Wove 88 lb.: N2B-BC-071
- Ultimate White Wove 88 lb.: N2B-BC-527
- Natural White Wove 88 lb.: N2B-BC-072

	500	1000	Add'l 500 No Change
Black Ink	\$88.90	91.90	28.10
1 Standard Ink	\$91.90	94.90	28.10
1 Standard & Black Ink	\$100.90	103.90	28.10
2 Standard Inks	\$105.90	108.90	28.10
1 Special Ink	\$178.90	181.90	28.10
1 Standard & 1 Special Ink	\$190.90	193.90	28.10
2 Special Inks	\$280.90	283.90	28.10
1 Standard Foil*	\$144.25	164.75	38.15

(R) Prices Effective January, 2011

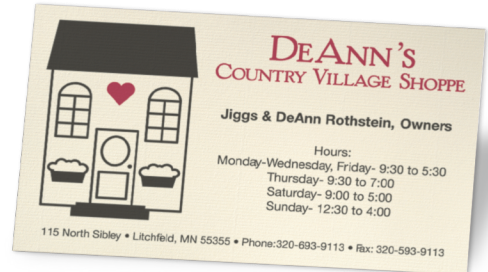
Additional charge for registration between two ink colors or ink and foil; see special services on pages 17-18. \*Pricing includes standard foil and recycled die. Dies are not returned.

Production Time- Ink: 1-2 Working Days

Foil: 2-3 Working Days

## Standard & Special Inks & Foil Stamping

Gray Laid - black ink



Ivory Laid - black & burgundy



White Linen - teal

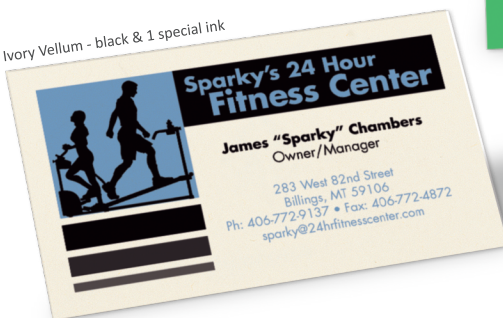


White Laid - burgundy & teal



Strathmore Writing Bright White Wove - 2 special inks

Ivory Vellum - black & 1 special ink



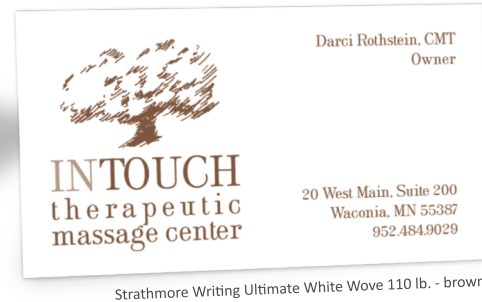
White Vellum - black



Warm White Linen - brown & teal

# Business Cards

Standard & Special Inks & Foil Stamping, Heavyweight & Premium Cards



- Size: 3-1/2" x 2"
- Vertical or horizontal layout
- Thermography provided unless specified otherwise
- Choose from standard inks, special inks or foil stamping
- See special services on pages 17 & 18 for back copy, registration and bleed charges



Strathmore Ultimate White Wove 110 lb.: N2B-BC-532  
Classic Crest® Solar White 110 lb.: N2B-BC-551  
UV/Ultra® II Radiant White Translucent 36 lb.: N2B-BC-770

	500	1000	Add'l 500 No Change
Black Ink	\$93.10	96.10	31.20
1 Standard Ink	\$96.10	99.10	31.20
1 Standard & Black Ink	\$105.10	108.10	31.20
2 Standard Inks	\$110.10	113.10	31.20
1 Special Ink	\$183.10	186.10	31.20
1 Standard & 1 Special Ink	\$195.10	198.10	31.20
2 Special Inks	\$285.10	288.10	31.20
1 Standard Foil*	\$149.45	175.15	43.35

(R) Prices Effective January, 2011  
Additional charge for registration between two ink colors or ink and foil; see special services on pages 17-18. \*Pricing includes standard foil and recycled die. Dies are not returned.

Production Time- Ink: 1-2 Working Days  
Foil: 2-3 Working Days



Strathmore Ultimate White Wove 130 lb.: N2B-BC-077  
Classic Crest® Solar White 130 lb.: N2B-BC-552

	500	1000	Add'l 500 No Change
Black Ink	\$107.60	110.60	31.50
1 Standard Ink	\$110.60	113.60	31.50
1 Standard & Black Ink	\$119.60	122.60	31.50
2 Standard Inks	\$124.60	127.60	31.50
1 Special Ink	\$197.60	200.60	31.50
1 Standard & 1 Special Ink	\$209.60	212.60	31.50
2 Special Inks	\$299.60	302.60	31.50
1 Standard Foil*	\$153.15	182.55	47.05

(R) Prices Effective January, 2011  
Additional charge for registration between two ink colors or ink and foil; see special services on pages 17-18. \*Pricing includes standard foil and recycled die. Dies are not returned.

Production Time- Ink: 1-2 Working Days  
Foil: 2-3 Working Days

Crane's Crest Fluorescent White 80 lb.: N2B-BC-045  
Crane's Crest Natural White 80 lb.: N2B-BC-046

	500	1000	Add'l 500 No Change
Black Ink	\$109.70	112.70	41.60
1 Standard Ink	\$112.70	115.70	41.60
1 Standard & Black Ink	\$121.70	124.70	41.60
2 Standard Inks	\$126.70	129.70	41.60
1 Special Ink	\$199.70	202.70	41.60
1 Standard & 1 Special Ink	\$211.70	214.70	41.60
2 Special Inks	\$301.70	304.70	41.60
1 Standard Foil*	\$157.65	191.55	51.55

(R) Prices Effective January, 2011  
Additional charge for registration between two ink colors or ink and foil; see special services on pages 17-18. \*Pricing includes standard foil and recycled die. Dies are not returned.

Production Time- Ink: 1-2 Working Days  
Foil: 2-3 Working Days

## Foil Stamping - Gloss Coated Stocks



Gloss Coated Silver - dark blue & green foil



Gloss Coated Black - gold foil



Gloss Coated White - copper foil



Gloss Coated Silver - dark blue foil



Gloss Coated Black - red & silver foil

- size: 3-1/2" x 2"
- vertical or horizontal layout
- choose from 1 or 2 standard foils
- See special services on pages 17-18 for back copy, registration and bleed charges

**Black Gloss Coated 12 pt., C1S: N2B-BCX-081**  
**Silver Gloss Coated 12 pt., C1S: N2B-BCX-088**

### White Gloss Coated 12 pt., C1S: N2B-BCX-086

	500	1000	Add'l 500 No Change
1 Standard Foil	\$140.00	156.25	33.90
2 Standard Foils	\$262.35	287.20	60.15

(R) Prices Effective January, 2011

Production Time: 1 Standard Foil: 2-3 Working Days

Pricing includes standard foil and recycled dies.

2 Standard Foils: 4-5 Working Days

Dies are not returned. Additional charge for registration between two foil colors; see special services on pages 17-18.

	1000	Add'l 500 No Change
1 Standard Foil (Gold, Silver or Black)	\$96.20	30.70
1 Standard Foil (Other Colors)	\$169.00	30.70
2 Standard Foils	\$227.15	56.95

(R) Prices Effective January, 2011

Production Time: 1 Std. Foil: 2-3 Working Days

2 Std. Foils: 4-5 Working Days

Pricing includes standard foil and recycled dies. Dies are not returned. Additional charge

for registration between two foil colors; see special services on pages 17-18.

# Letterhead

## Standard & Special Inks

- Size: 8-1/2" x 11"
- Perma Raised® thermography provided unless specified otherwise
- Choose from standard and special inks
- Blank stock available for multiple page documents
- See special services on pages 17 & 18 for registration and bleed charges

\* Navitor® prints all Letterhead in Perma Raised® thermography unless otherwise indicated. Perma Raised® is a special heat-resistant thermography product designed to withstand the high temperatures of laser printers without melting, smearing or distorting color. All Letterhead stocks are guaranteed to run on laser printers, inkjet printers and copiers.

### White Economy Smooth 24 lb.: N2B-LH-251

	500	1000	2000	2500	5000	Add'l 500 No Change
Black Ink	\$88.50	132.80	193.45	223.60	362.95	23.80
1 Standard Ink	\$103.50	147.80	208.45	238.60	377.95	23.80
1 Standard & Black Ink	\$148.50	192.80	253.45	283.60	422.95	23.80
2 Standard Inks	\$163.50	207.80	268.45	298.60	437.95	23.80
1 Special Ink	\$163.50	207.80	268.45	298.60	437.95	23.80
1 Standard & 1 Special Ink	\$223.50	267.80	328.45	358.60	497.95	23.80
2 Special Inks	\$298.50	342.80	403.45	433.60	572.95	23.80
Blank Stock	\$23.50	46.50	83.60	104.50	190.30	15.00

### Capitol Bond® 20 lb. - 25% Cotton: N2B-LH-050

	500	1000	2000	2500	5000	Add'l 500 No Change
Black Ink	\$91.00	137.80	203.45	236.10	387.95	26.30
1 Standard Ink	\$106.00	152.80	218.45	251.10	402.95	26.30
1 Standard & Black Ink	\$151.00	197.80	263.45	296.10	447.95	26.30
2 Standard Inks	\$166.00	212.80	278.45	311.10	462.95	26.30
1 Special Ink	\$166.00	212.80	278.45	311.10	462.95	26.30
1 Standard & 1 Special Ink	\$226.00	272.80	338.45	371.10	522.95	26.30
2 Special Inks	\$301.00	347.80	413.45	446.10	597.95	26.30
Blank Stock	\$26.00	51.50	93.60	117.00	215.30	17.50

### Capitol Bond® 24 lb. - 25% Cotton: N2B-LH-051

	500	1000	2000	2500	5000	Add'l 500 No Change
Black Ink	\$99.00	153.80	235.45	276.10	467.95	34.30
1 Standard Ink	\$114.00	168.80	250.45	291.10	482.95	34.30
1 Standard & Black Ink	\$159.00	213.80	295.45	336.10	527.95	34.30
2 Standard Inks	\$174.00	228.80	310.45	351.10	542.95	34.30
1 Special Ink	\$174.00	228.80	310.45	351.10	542.95	34.30
1 Standard & 1 Special Ink	\$234.00	288.80	370.45	411.10	602.95	34.30
2 Special Inks	\$309.00	363.80	445.45	486.10	677.95	34.30
Blank Stock	\$34.00	67.50	125.60	157.00	295.30	25.50

### White Laid 24 lb.: N2B-LH-555

### Ivory Laid 24 lb.: N2B-LH-556

### Gray Laid 24 lb.: N2B-LH-557

	500	1000	2000	2500	5000	Add'l 500 No Change
Black Ink	\$106.00	167.80	263.45	311.10	537.95	41.30
1 Standard Ink	\$121.00	182.80	278.45	326.10	552.95	41.30
1 Standard & Black Ink	\$166.00	227.80	323.45	371.10	597.95	41.30
2 Standard Inks	\$181.00	242.80	338.45	386.10	612.95	41.30
1 Special Ink	\$181.00	242.80	338.45	386.10	612.95	41.30
1 Standard & 1 Special Ink	\$241.00	302.80	398.45	446.10	672.95	41.30
2 Special Inks	\$316.00	377.80	473.45	521.10	747.95	41.30
Blank Stock	\$41.00	81.50	153.60	192.00	365.30	32.50

### Bright White Linen 24 lb.: N2B-LH-030

### Warm White Linen 24 lb.: N2B-LH-034

### Gray Linen 24 lb.: N2B-LH-039

(R) Prices Effective January, 2011

Additional charge for registration between two ink colors; see special services on pages 17-18.

Production Time: 1-2 Working Days



## Standard & Special Inks

### Classic Crest®

- Solar White 24 lb.: N2B-LH-545
- Natural White 24 lb.: N2B-LH-550
- Avon Brilliant White 24 lb.: N2B-LH-709

### Classic® Linen

- Avon Brilliant White 24 lb.: N2B-LH-790
- Solar White 24 lb.: N2B-LH-789
- Baronial Ivory 24 lb.: N2B-LH-792
- Natural White 24 lb.: N2B-LH-791

### Classic® Laid

- Baronial Ivory 24 lb.: N2B-LH-543
- Natural White 24 lb.: N2B-LH-554
- Avon Brilliant White 24 lb.: N2B-LH-541

### Environment® Ultra Bright

- White 24 lb.: N2B-LH-767

### Crushed White 24 lb.: N2B-LH-236

	500	1000	2000	2500	5000	Add'l 500 No Change
Black Ink	\$113.50	182.80	293.45	348.60	612.95	48.80
1 Standard Ink	\$128.50	197.80	308.45	363.60	627.95	48.80
1 Standard & Black Ink	\$173.50	242.80	353.45	408.60	672.95	48.80
2 Standard Inks	\$188.50	257.80	368.45	423.60	687.95	48.80
1 Special Ink	\$188.50	257.80	368.45	423.60	687.95	48.80
1 Standard & 1 Special Ink	\$248.50	317.80	428.45	483.60	747.95	48.80
2 Special Inks	\$323.50	392.80	503.45	558.60	822.95	48.80
Blank Stock	\$48.50	96.50	183.60	229.50	440.30	40.00

### Strathmore Writing Bright White Wove 24 lb.: N2B-LH-071

### Strathmore Writing Ultimate White Wove 24 lb.: N2B-LH-527

### Strathmore Writing Natural White Wove 24 lb.: N2B-LH-072

	500	1000	2000	2500	5000	Add'l 500 No Change
Black Ink	\$116.00	187.80	303.45	361.10	637.95	51.30
1 Standard Ink	\$131.00	202.80	318.45	376.10	652.95	51.30
1 Standard & Black Ink	\$176.00	247.80	363.45	421.10	697.95	51.30
2 Standard Inks	\$191.00	262.80	378.45	436.10	712.95	51.30
1 Special Ink	\$191.00	262.80	378.45	436.10	712.95	51.30
1 Standard & 1 Special Ink	\$251.00	322.80	438.45	496.10	772.95	51.30
2 Special Inks	\$326.00	397.80	513.45	571.10	847.95	51.30
Blank Stock	\$51.00	101.50	193.60	242.00	465.30	42.50

### Crane's Crest Fluorescent White 24 lb.: N2B-LH-045

### Crane's Crest Natural White 24 lb.: N2B-LH-046

### Crane's Bond Ivory 24 lb.: N2B-LH-048

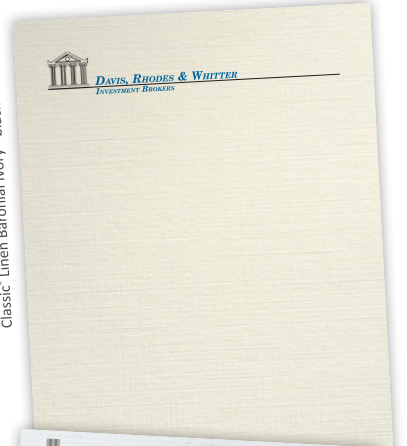
	500	1000	2000	2500	5000	Add'l 500 No Change
Black Ink	\$132.60	221.00	369.85	444.10	803.95	67.90
1 Standard Ink	\$147.60	236.00	384.85	459.10	818.95	67.90
1 Standard & Black Ink	\$192.60	281.00	429.85	504.10	863.95	67.90
2 Standard Inks	\$207.60	296.00	444.85	519.10	878.95	67.90
1 Special Ink	\$207.60	296.00	444.85	519.10	878.95	67.90
1 Standard & 1 Special Ink	\$267.60	356.00	504.85	579.10	938.95	67.90
2 Special Inks	\$342.60	431.00	579.85	654.10	1,013.95	67.90
Blank Stock	\$67.60	134.70	260.00	325.00	631.30	59.10

(R) Prices Effective January, 2011

Additional charge for registration between two ink colors; see special services on pages 17-18.

Production Time: 1-2 Working Days

Classic® Linen Baronial Ivory - black & dark blue



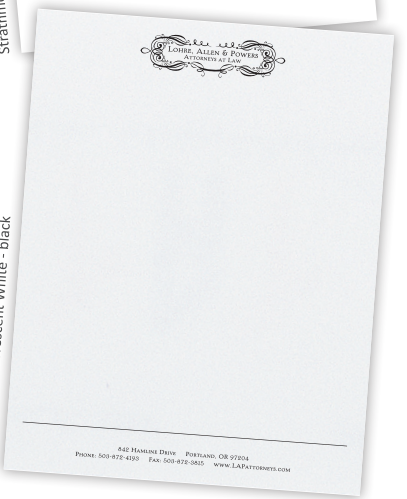
Classic® Laid Avon Brilliant White - gray & dark blue



Strathmore Writing Ultimate White Wove - 2 special inks



Crane's Crest Fluorescent White - black



# Stationery Envelopes

## Standard & Special Inks

- Size: #10 (9-1/2" x 4-1/8")

\* Navitor® prints all Envelopes in Perma Raised® thermography unless otherwise indicated. Perma Raised® is a special heat-resistant thermography product designed to withstand the high temperatures of laser printers without melting, smearing or distorting color. All Envelope stocks are guaranteed to run on laser printers, inkjet printers and copiers.



### #10 White Wove 24 lb.: N2B-E-100

	500	1000	2000	2500	5000	Add'l 500 No Change
Black Ink	\$111.20	154.95	238.15	269.00	419.00	22.00
1 Standard Ink	\$126.20	169.95	253.15	284.00	434.00	22.00
1 Standard & Black Ink	\$171.20	214.95	298.15	329.00	479.00	22.00
2 Standard Inks	\$186.20	229.95	313.15	344.00	494.00	22.00
1 Special Ink	\$186.20	229.95	313.15	344.00	494.00	22.00
1 Standard & 1 Special Ink	\$246.20	289.95	373.15	404.00	554.00	22.00
2 Special Inks	\$321.20	364.95	448.15	479.00	629.00	22.00
Blank Stock	\$29.80	56.80	102.80	128.50	231.90	18.80

### #10 Capitol Bond® 20 lb. - 25% Cotton: N2B-E-050

	500	1000	2000	2500	5000	Add'l 500 No Change
Black Ink	\$126.20	184.95	298.15	344.00	569.00	37.00
1 Standard Ink	\$141.20	199.95	313.15	359.00	584.00	37.00
1 Standard & Black Ink	\$186.20	244.95	358.15	404.00	629.00	37.00
2 Standard Inks	\$201.20	259.95	373.15	419.00	644.00	37.00
1 Special Ink	\$201.20	259.95	373.15	419.00	644.00	37.00
1 Standard & 1 Special Ink	\$261.20	319.95	433.15	479.00	704.00	37.00
2 Special Inks	\$336.20	394.95	508.15	554.00	779.00	37.00
Blank Stock	\$44.80	86.80	162.80	203.50	381.90	33.80

### #10 Capitol Bond® 24 lb. - 25% Cotton: N2B-E-051

	500	1000	2000	2500	5000	Add'l 500 No Change
Black Ink	\$127.20	186.95	302.15	349.00	579.00	38.00
1 Standard Ink	\$142.20	201.95	317.15	364.00	594.00	38.00
1 Standard & Black Ink	\$187.20	246.95	362.15	409.00	639.00	38.00
2 Standard Inks	\$202.20	261.95	377.15	424.00	654.00	38.00
1 Special Ink	\$202.20	261.95	377.15	424.00	654.00	38.00
1 Standard & 1 Special Ink	\$262.20	321.95	437.15	484.00	714.00	38.00
2 Special Inks	\$337.20	396.95	512.15	559.00	789.00	38.00
Blank Stock	\$45.80	88.80	166.80	208.50	391.90	34.80

### #10 White Laid 24 lb.: N2B-E-555

### #10 Ivory Laid 24 lb.: N2B-E-556

### #10 Gray Laid 24 lb.: N2B-E-557

### #10 Bright White Linen 24 lb.: N2B-E-030

### #10 Warm White Linen 24 lb.: N2B-E-034

### #10 Gray Linen 24 lb.: N2B-E-039

	500	1000	2000	2500	5000	Add'l 500 No Change
Black Ink	\$131.45	195.45	319.15	370.25	621.50	42.25
1 Standard Ink	\$146.45	210.45	334.15	385.25	636.50	42.25
1 Standard & Black Ink	\$191.45	255.45	379.15	430.25	681.50	42.25
2 Standard Inks	\$206.45	270.45	394.15	445.25	696.50	42.25
1 Special Ink	\$206.45	270.45	394.15	445.25	696.50	42.25
1 Standard & 1 Special Ink	\$266.45	330.45	454.15	505.25	756.50	42.25
2 Special Inks	\$341.45	405.45	529.15	580.25	831.50	42.25
Blank Stock	\$50.05	97.30	183.80	229.75	434.40	39.05

(R) Prices Effective January, 2011

Additional charge for registration between two ink colors; see special services on pages 17-18.

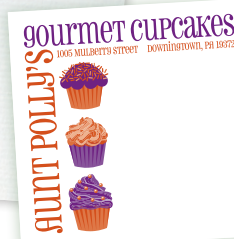
Production Time: 1-2 Working Days

# Stationery Envelopes

## Standard & Special Inks



Classic® Laid Avon Brilliant White - gray & dark blue



Strathmore Writing Ultimate White Wove - 2 special inks



Crane's Crest Fluorescent White - black

### #10 Classic Crest®

- Solar White 24 lb.: N2B-E-545
- Natural White 24 lb.: N2B-E-550
- Avon Brilliant White 24 lb.: N2B-E-709

### #10 Classic® Linen

- Avon Brilliant White 24 lb.: N2B-E-790
- Solar White 24 lb.: N2B-E-789
- Baronial Ivory 24 lb.: N2B-E-792
- Natural White 24 lb.: N2B-E-791

### #10 Classic® Laid

- Baronial Ivory 24 lb.: N2B-E-543
- Natural White 24 lb.: N2B-E-554
- Avon Brilliant White 24 lb.: N2B-E-541

### #10 Environment® Ultra Bright White 24 lb.: N2B-E-767

### #10 Crushed White 24 lb.: N2B-E-236

	500	1000	2000	2500	5000	Add'l 500 No Change
Black Ink	\$139.80	212.15	352.55	412.00	705.00	50.60
1 Standard Ink	\$154.80	227.15	367.55	427.00	720.00	50.60
1 Standard & Black Ink	\$199.80	272.15	412.55	472.00	765.00	50.60
2 Standard Inks	\$214.80	287.15	427.55	487.00	780.00	50.60
1 Special Ink	\$214.80	287.15	427.55	487.00	780.00	50.60
1 Standard & 1 Special Ink	\$274.80	347.15	487.55	547.00	840.00	50.60
2 Special Inks	\$349.80	422.15	562.55	622.00	915.00	50.60
Blank Stock	\$58.40	114.00	217.20	271.50	517.90	47.40

### #10 Strathmore Writing Bright White Wove 24 lb.: N2B-E-071

### #10 Strathmore Writing Ultimate White Wove 24 lb.: N2B-E-527

### #10 Strathmore Writing Natural White Wove 24 lb.: N2B-E-072

	500	1000	2000	2500	5000	Add'l 500 No Change
Black Ink	\$143.45	219.45	367.15	430.25	741.50	54.25
1 Standard Ink	\$158.45	234.45	382.15	445.25	756.50	54.25
1 Standard & Black Ink	\$203.45	279.45	427.15	490.25	801.50	54.25
2 Standard Inks	\$218.45	294.45	442.15	505.25	816.50	54.25
1 Special Ink	\$218.45	294.45	442.15	505.25	816.50	54.25
1 Standard & 1 Special Ink	\$278.45	354.45	502.15	565.25	876.50	54.25
2 Special Inks	\$353.45	429.45	577.15	640.25	951.50	54.25
Blank Stock	\$62.05	121.30	231.80	289.75	554.40	51.05

### #10 Crane's Crest Fluorescent White 24 lb.: N2B-E-045

### #10 Crane's Crest Natural White 24 lb.: N2B-E-046

### #10 Crane's Bond Ivory 24 lb.: N2B-E-048

	500	1000	2000	2500	5000	Add'l 500 No Change
Black Ink	\$193.20	318.95	566.15	679.00	1,239.00	104.00
1 Standard Ink	\$208.20	333.95	581.15	694.00	1,254.00	104.00
1 Standard & Black Ink	\$253.20	378.95	626.15	739.00	1,299.00	104.00
2 Standard Inks	\$268.20	393.95	641.15	754.00	1,314.00	104.00
1 Special Ink	\$268.20	393.95	641.15	754.00	1,314.00	104.00
1 Standard & 1 Special Ink	\$328.20	453.95	701.15	814.00	1,374.00	104.00
2 Special Inks	\$403.20	528.95	776.15	889.00	1,449.00	104.00
Blank Stock	\$111.80	220.80	430.80	538.50	1,051.90	100.80

(R) Prices Effective January, 2011

Additional charge for registration between two ink colors; see special services on pages 17-18.

Production Time: 1-2 Working Days

# Business Envelopes

## One Color

- Sizes
  - #10: 9-1/2" x 4-1/8"
  - #9: 8-7/8" x 3-7/8"
  - #6-3/4: 6-1/2" x 3-5/8"
- White wove 24 lb.
- Gum flap
- Flat printed

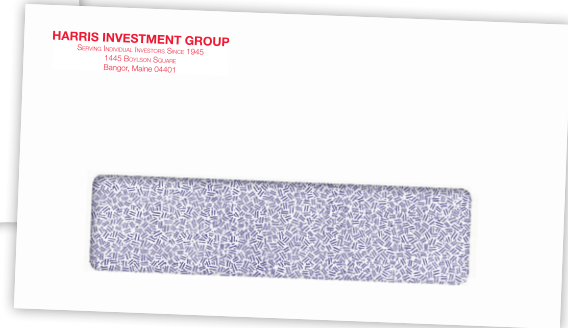
\* All envelope stocks are guaranteed to run on laser printers, inkjet printers and copiers.



#9 Regular - black



#10 Poly Window - dark blue



#6-3/4 Security Tint Poly Window - red



#10 Security Tint Regular - black

### One Color Ink (black, dark blue or red)

	item numbers			500	1000	2500	5000
	#10	#9	#6-3/4				
regular	N2B-ECE-100	N2B-ECE-103	N2B-ECE-109	\$61.95	71.40	124.50	205.00
poly window	N2B-ECE-101	N2B-ECE-104	N2B-ECE-110	\$64.45	76.40	137.00	230.00
security tint regular	N2B-ECE-120	N2B-ECE-119	N2B-ECE-174	\$64.45	76.40	137.00	230.00
security tint poly window	N2B-ECE-121	N2B-ECE-196	N2B-ECE-204	\$65.55	78.60	142.50	241.00

(R) Prices Effective January, 2011

Additional stocks available; please request a quote. Request a quote for quantities over 5,000. Special services listed on pages 17-18.

Production Time: 1-2 Working Days

One Color



Flip and Seal Regular - red

Flip and Seal Poly Window - dark blue



Peel and Seal Poly Window - red



Peel and Seal Regular - dark blue



Peel and Seal Security Tint - black



Peel and Seal Security Tint Poly Window - black

- Size: #10: 9-1/2" x 4-1/8"
- White wove 24 lb.
- Self-sealing closure
- Flat printed

\* All envelope stocks are guaranteed to run on laser printers, inkjet printers and copiers.

## #10 flip and seal (self sealing)

one color ink - black, dark blue or red	item numbers					
	#10	500	1000	2500	5000	10,000
regular	N2B-ECE-124	\$76.95	101.40	199.50	355.00	635.00
poly window	N2B-ECE-125	\$77.95	103.40	204.50	365.00	655.00

## #10 peel and seal (self sealing)

one color ink - black, dark blue or red	item numbers					
	#10	500	1000	2500	5000	10,000
regular	N2B-ECE-122	\$77.95	103.40	204.50	365.00	655.00
poly window	N2B-ECE-123	\$82.95	113.40	229.50	415.00	755.00
security tint regular	N2B-ECE-152	\$82.95	113.40	229.50	415.00	755.00
security tint poly window	N2B-ECE-153	\$87.95	123.40	254.50	465.00	855.00

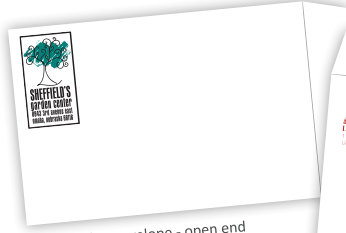
(R) Prices Effective January, 2011

Additional stocks available; please request a quote. Request a quote for quantities over 10,000. Special services listed on pages 17-18.

Production Time: 1-2 Working Days

# Mailing Envelopes

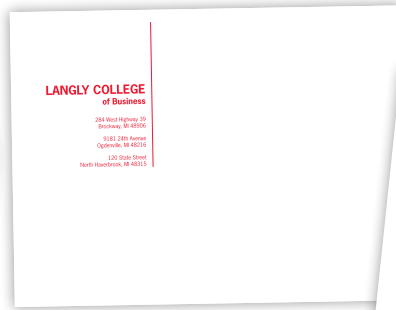
## Standard & Special Inks



6 x 9 catalog envelope - open end  
black & 1 special ink



6 x 9 booklet envelope - open side  
1 special ink



9 x 12 catalog envelope - red



9 x 12 booklet envelope - 2 special inks



10 x 13 booklet envelope - 2 special inks



10 x 13 catalog envelope - black & 1 special ink

- Sizes
  - 6" x 9"
  - 9" x 12"
  - 10" x 13"
- Catalog & booklets
- Gum flap
- Flat printed

\* All envelope stocks are guaranteed to run on laser printers, inkjet printers and copiers.

## Standard Gum Flap

item numbers

6" x 9" White Wove 24 lb.	Catalog (open end)	Booklet (open side)	250	500	1000	2500	5000
Black, Red or Dark Blue	N2B-EKF-159	N2B-EKF-181	\$96.00	124.00	155.00	245.00	395.00
1 Standard Ink (other colors)	N2B-EKF-159	N2B-EKF-181	\$111.00	139.00	170.00	260.00	410.00
1 Standard & Black Ink	N2B-EKF-159	N2B-EKF-181	\$151.00	179.00	210.00	300.00	450.00
2 Standard Inks	N2B-EKF-159	N2B-EKF-181	\$166.00	194.00	225.00	315.00	465.00
1 Special Ink	N2B-EKF-159	N2B-EKF-181	\$171.00	199.00	230.00	320.00	470.00
1 Standard Ink & 1 Special Ink	N2B-EKF-159	N2B-EKF-181	\$226.00	254.00	285.00	375.00	525.00
2 Special Inks	N2B-EKF-159	N2B-EKF-181	\$301.00	329.00	360.00	450.00	600.00

item numbers

9" x 12" White Wove 28 lb.	Catalog (open end)	Booklet (open side)	250	500	1000	2500	5000
Black, Red or Dark Blue	N2B-EKF-160	N2B-EKF-183	\$104.75	141.50	190.00	332.50	570.00
1 Standard Ink (other colors)	N2B-EKF-160	N2B-EKF-183	\$119.75	156.50	205.00	347.50	585.00
1 Standard & Black Ink	N2B-EKF-160	N2B-EKF-183	\$159.75	196.50	245.00	387.50	625.00
2 Standard Inks	N2B-EKF-160	N2B-EKF-183	\$174.75	211.50	260.00	402.50	640.00
1 Special Ink	N2B-EKF-160	N2B-EKF-183	\$179.75	216.50	265.00	407.50	645.00
1 Standard Ink & 1 Special Ink	N2B-EKF-160	N2B-EKF-183	\$234.75	271.50	320.00	462.50	700.00
2 Special Inks	N2B-EKF-160	N2B-EKF-183	\$309.75	346.50	395.00	537.50	775.00

item numbers

10" x 13" White Wove 28 lb.	Catalog (open end)	Booklet (open side)	250	500	1000	2500	5000
Black, Red or Dark Blue	N2B-EKF-162	N2B-EKF-185	\$109.75	151.50	210.00	382.50	670.00
1 Standard Ink (other colors)	N2B-EKF-162	N2B-EKF-185	\$124.75	166.50	225.00	397.50	685.00
1 Standard & Black Ink	N2B-EKF-162	N2B-EKF-185	\$164.75	206.50	265.00	437.50	725.00
2 Standard Inks	N2B-EKF-162	N2B-EKF-185	\$179.75	221.50	280.00	452.50	740.00
1 Special Ink	N2B-EKF-162	N2B-EKF-185	\$184.75	226.50	285.00	457.50	745.00
1 Standard Ink & 1 Special Ink	N2B-EKF-162	N2B-EKF-185	\$239.75	281.50	340.00	512.50	800.00
2 Special Inks	N2B-EKF-162	N2B-EKF-185	\$314.75	356.50	415.00	587.50	875.00

(R) Prices Effective January, 2011

Additional charge for registration between two ink colors; see special services on pages 17-18. Request a quote for quantities over 5,000.

Production Time: 1-2 Color - 1-2 Working Days

- **Announcement sizes**  
7 baronial: 7" x 5-1/8" (folded); 7" x 10-1/4" (open)  
6 baronial: 6-1/4" x 4-5/8" (folded); 6-1/4" x 9-1/4" (open)  
5-1/2 baronial: 5-1/2" x 4-1/4" (folded); 5-1/2" x 8-1/2" (open)
- **Envelope sizes**  
7 baronial: 7-1/4" x 5-1/4"  
6 baronial: 6-1/2" x 4-3/4"  
5-1/2 baronial: 5-3/4" x 4-3/8"
- Vertical or horizontal layout
- Announcements are scored & shipped flat
- Pricing includes blank baronial (v-flap) envelopes;  
pricing for black imprint can be found below
- Additional sizes and foil imprint are available;  
please request a quote



### 7 Baronial Folders

**White Non-Panel Folder: N2B-AN-7FWN**  
**Ecru Non-Panel Folder: N2B-AN-7FEN**  
**White Panel Folder: N2B-AN-7FWP**  
**Ecru Panel Folder: N2B-AN-7FEP**

### 6 Baronial Folders

**White Non-Panel Folder: N2B-AN-6FWN**  
**Ecru Non-Panel Folder: N2B-AN-6FEN**  
**White Panel Folder: N2B-AN-6FWP**  
**Ecru Panel Folder: N2B-AN-6FEP**

	100	200	300	400	500	1000	Add'l 100 No Change
Black Ink	\$92.50	124.00	155.40	186.85	218.10	374.40	22.45
1 Standard Ink	\$107.50	139.00	170.40	201.85	233.10	389.40	22.45
1 Standard & Black Ink	\$131.50	163.00	194.40	225.85	257.10	413.40	22.45
2 Standard Inks	\$146.50	178.00	209.40	240.85	272.10	428.40	22.45
1 Special Ink	\$167.50	199.00	230.40	261.85	293.10	449.40	22.45
1 Standard & 1 Special Ink	\$206.50	238.00	269.40	300.85	332.10	488.40	22.45
2 Special Inks	\$281.50	313.00	344.40	375.85	407.10	563.40	22.45

(R) Prices Effective January, 2011

Additional charge for registration between two ink colors; see special services on pages 17-18.

Production Time: 1-2 Working Days

### 5-1/2 Baronial Folders

**White Non-Panel Folder: N2B-AN-55FWN**  
**Ecru Non-Panel Folder: N2B-AN-55FEN**

**White Panel Folder: N2B-AN-55FWP**  
**Ecru Panel Folder: N2B-AN-55FEP**

	100	200	300	400	500	1000	Add'l 100 No Change
Black Ink	\$85.75	110.50	135.10	159.80	184.30	306.80	21.40
1 Standard Ink	\$100.75	125.50	150.10	174.80	199.30	321.80	21.40
1 Standard & Black Ink	\$124.75	149.50	174.10	198.80	223.30	345.80	21.40
2 Standard Inks	\$139.75	164.50	189.10	213.80	238.30	360.80	21.40
1 Special Ink	\$160.75	185.50	210.10	234.80	259.30	381.80	21.40
1 Standard & 1 Special Ink	\$199.75	224.50	249.10	273.80	298.30	420.80	21.40
2 Special Inks	\$274.75	299.50	324.10	348.80	373.30	495.80	21.40

(R) Prices Effective January, 2011

Additional charge for registration between two ink colors; see special services on pages 17-18.

Production Time: 1-2 Working Days

### Additional Imprint Options (add to base price)

	100	200	300	400	500	1000	Add'l 100 No Change
<b>Inside Copy (flat printed)</b>							
1 Color	\$51.50	56.05	60.20	63.95	67.50	85.20	3.50
2 Colors	\$93.50	103.90	112.20	117.30	122.00	143.80	3.50
<b>Envelope Printing (flat printed envelope flap)</b>							
1 Color	\$51.50	56.05	60.20	63.95	67.50	85.20	3.50
2 Colors	\$93.50	103.90	112.20	117.30	122.00	143.80	3.50

(R) Prices Effective January, 2011

Inside Announcement copy and/or envelope flap will be flat printed. If inside copy is a different color than front copy, add an additional \$15.00 for any standard ink. There is no charge for back copy on Folder style Announcements if front and back panels are printed in the same colors. Additional charge for registration between two ink colors; see special services on pages 17-18.

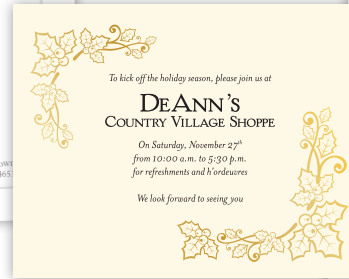
Production Time: 1-2 Working Days

# Announcements

## Cards

- Announcement sizes  
7 baronial: 7" x 5-1/8"  
6 baronial: 6-1/4" x 4-5/8"  
5-1/2 baronial: 5-1/2" x 4-1/4"
- Envelope sizes  
7 baronial: 7-1/4" x 5-1/4"  
6 baronial: 6-1/2" x 4-3/4"  
5-1/2 baronial: 5-3/4" x 4-3/8"
- Vertical or horizontal layout
- Pricing includes blank baronial (v-flap) envelopes; pricing for black imprint can be found below
- Additional sizes and foil imprint are available; please request a quote

6 baronial white panel - gray & burgundy



5-1/2 baronial ecru non-panel - black & gold foil (request a quote)

7 baronial white panel - 2 special inks



### 7 Baronial Cards

- White Non-Panel Card: N2B-AN-7WN
- Ecru Non-Panel Card: N2B-AN-7EN
- White Panel Card: N2B-AN-7WP
- Ecru Panel Card: N2B-AN-7EP

	100	200	300	400	500	1000	Add'l 100 No Change
Black Ink	\$85.75	110.50	135.10	159.80	184.30	306.80	21.40
1 Standard Ink	\$100.75	125.50	150.10	174.80	199.30	321.80	21.40
1 Standard & Black Ink	\$124.75	149.50	174.10	198.80	223.30	345.80	21.40
2 Standard Inks	\$139.75	164.50	189.10	213.80	238.30	360.80	21.40
1 Special Ink	\$160.75	185.50	210.10	234.80	259.30	381.80	21.40
1 Standard & 1 Special Ink	\$199.75	224.50	249.10	273.80	298.30	420.80	21.40
2 Special Inks	\$274.75	299.50	324.10	348.80	373.30	495.80	21.40

(R) Prices Effective January, 2011

Additional charge for registration between two ink colors; see special services on pages 17-18.

Production Time: 1-2 Working Days

### 6 Baronial Cards

- White Non-Panel Card: N2B-AN-6WN
- Ecru Non-Panel Card: N2B-AN-6EN
- White Panel Card: N2B-AN-6WP
- Ecru Panel Card: N2B-AN-6EP

### 5-1/2 Baronial Cards

- White Non-Panel Card: N2B-AN-55WN
- Ecru Non-Panel Card: N2B-AN-55EN

	100	200	300	400	500	1000	Add'l 100 No Change
Black Ink	\$82.10	103.20	124.20	145.25	166.10	270.40	18.50
1 Standard Ink	\$97.10	118.20	139.20	160.25	181.10	285.40	18.50
1 Standard & Black Ink	\$121.10	142.20	163.20	184.25	205.10	309.40	18.50
2 Standard Inks	\$136.10	157.20	178.20	199.25	220.10	324.40	18.50
1 Special Ink	\$157.10	178.20	199.20	220.25	241.10	345.40	18.50
1 Standard & 1 Special Ink	\$196.10	217.20	238.20	259.25	280.10	384.40	18.50
2 Special Inks	\$271.10	292.20	313.20	334.25	355.10	459.40	18.50

(R) Prices Effective January, 2011

Additional charge for registration between two ink colors; see special services on pages 17-18.

Production Time: 1-2 Working Days

- White Panel Card: N2B-AN-55WP
- Ecru Panel Card: N2B-AN-55EP

### Additional Imprint Options

	100	200	300	400	500	1000	Add'l 100 No Change
<b>Back Copy</b>							
1 Color	\$51.50	56.05	60.20	63.95	67.50	85.20	3.50
2 Colors	\$93.50	103.90	112.20	117.30	122.00	143.80	3.50
<b>Envelope Printing</b>							
1 Color	\$51.50	56.05	60.20	63.95	67.50	85.20	3.50
2 Colors	\$93.50	103.90	112.20	117.30	122.00	143.80	3.50

(R) Prices Effective January, 2011

Inside Announcement copy and/or envelope flap will be flat printed. If inside copy is a different color than front copy, add an additional \$15.00 for any standard ink. There is no charge for back copy on Folder style Announcements if front and back panels are printed in the same colors. Additional charge for registration between two ink colors; see special services on pages 17-18.

Production Time: 1-2 Working Days

**Flat Printing:** Lithography (flat printing) is a printing process in which the image area is neither raised nor depressed. Ink adheres to the image area and is repelled by the non-image area. Offset printing presses most often are used to transfer the image from a plate to a rubber blanket. The image is then printed from the blanket on the printing press to the paper.

**Thermography:** Sometimes known as raised printing, thermography is a process by which a special powder is applied to the ink after the ink has been applied to the paper. The paper is then run through a heat source which causes the ink to "raise". All orders will be processed in thermography unless another process is specified or if product is listed otherwise.

**Perma Raised® Thermography:** Navitor® prints all letterhead and envelopes in Perma Raised® Thermography unless otherwise indicated. Perma Raised® is a special heat-resistant thermography process designed to withstand the high temperatures of laser printers without melting, smearing or distorting color. All letterhead and envelope stock printed in Perma Raised® Thermography are guaranteed to run on laser printers, inkjet printers and copiers.

**Standard and Special Inks:** Standard inks are ink colors that are most commonly requested. Special inks are any specific ink numbers requested from an established source system such as PANTONE MATCHING SYSTEM®, Pantone Inc.'s check-standard trademark for color reproduction and color reproduction materials. Use the standard and special ink category on the price grids for the paper you've selected when ordering these ink colors. Samples of standard inks can be found in the front of this book. Standard Ink Colors: Black, Brown, Burgundy, Dark Blue, Green, Gray, Light Blue, Red and Teal.

**Foil Stamping:** Foil stamping, also known as hot stamping, is a process involving heat and pressure along with metallic foil material to stamp a design or text onto the front of the paper. The look of the finished product is similar to an ink, but is generally very shiny in appearance. This process is also done using a metallic die and is one dimensional (flat). Use the foil stamping category on the price grids for the paper you've selected when ordering. These price categories include recycled dies; dies are not returned. If foil stamping is in registration between any other printing process, please request a quote. Standard Foil Colors: Black, Burgundy, Copper, Dark Blue, Green, Gold, Light Blue, Red and Silver. Rainbow and Special Foils are available at \$45.00 per item.

**Art Charges:** Art charges will apply for layouts requiring special attention (artwork that is unsuitable for reproduction, logos requiring color separation, disks that contain files that are not print ready and require manipulation).

- Art Charges: \$10.00 NET minimum. You will be contacted if cost exceeds \$20.00 NET.
- Multicolors: \$15.00 NET minimum; additional \$25.00 NET minimum charge to drop backgrounds.
- Full Color: \$78.00 NET fee per hour, additional \$25.00 NET minimum charge to drop backgrounds.

If you need scanning or design and typesetting performed, please contact us for a quote on prep charges. NOTE: Add two production days for typesetting and design to the production time of the product.

**Back Copy on Business Cards:** Copy printed on the back side of a business card will be flat printed, thermography is not available.

**Standard & Special Inks**

	500	1000	Add'l 500
1 Color	\$37.10	38.60	14.10
2 Color	\$49.70	51.20	14.10

If the back copy ink color is different than front copy, please request a quote.

**Bleeds:** A bleed is a printed image that extends off the edge of the paper. Artwork should exceed 1/4" beyond the paper size.

**Business Cards, Letterhead, Envelopes & Announcements**

Prices shown per edge	500	1000	Add'l 500
Standard & Special Inks	\$9.45	9.45	3.15

Call or fax for a quote for bleeds:

- on more than 2 edges
- if bleed area exceeds 1/16" in thickness
- if Letterhead bleeds top and bottom

**Die Charges:** Recycled dies are included in the base price for foil stamping up to a designated per square inch imprint area as follows:

- Business Cards: 7 square inches
- Letterhead: 8 square inches
- Envelopes: 4 square inches
- Announcements: 12 square inches

Dies are not returned. Please request a quote if your image area exceeds the maximum square inches indicated above and/or appears in more than one position.

**Envelope Special Charges:** Please specify position of copy on Envelope (corner or flap). If no position is specified, upper left corner printing will be supplied. If the envelope is printed on the front and the flap, add the charge below to the base price. Envelope flap will be flat printed.

	500	1000	Add'l 500
1 Color	\$82.65	120.70	23.90
2 Color	\$142.65	180.70	23.90

If flap copy is a different color than front copy, add an additional \$15.00 for any standard ink and \$75.00 for special ink. Allow one additional production day for flap printing.

**Flat Printing:**

**Business Cards**

No additional charge for standard and special inks. Please indicate flat print on your order blank. If no indication is given, raised print will be supplied.

**Flat Printed Letterhead, Envelopes and Announcements**

No additional charge. Please indicate Flat Print on your order blank. If no indication is given, raised print will be supplied.

**Logos:** When your customer is looking for a simple design solution, help enhance their stationery with navitor stock logos. View stock logos on Order It/Help & Resources/Printing Options at [Navitor.com](http://Navitor.com).

# Special Services

## Margin Requirements:

- Business Cards must be sent 1- up with at least a 1/8" margin.
- Envelopes must allow 1/4" from the top and side.
- Letterhead must have at least 3/8" at the top and 1/4" along the sides and bottom.
- Announcements must have a 3/8" margin at the top, sides and bottom for Non-Panel styles. Allow an additional 1/4" margin for Panel Announcements. Panel sizes are as follows:
 

7 Baronial - 5/8"	5 1/2 Baronial - 1/2"
5 Baronial - 1/2"	4 Baronial - 1/2"

**Multiple Lot Business Cards (Volume Discount):** Available with text changes or omissions. Request a quote for 2 names or more.

**Photos:** Photos may be reproduced in one ink color for an additional charge of \$18.25 per photo. Supply a black and white photo only. Photos are not recommended in thermography or raised print. On all photographs, a copyright release form signed by the photographer must accompany the order.

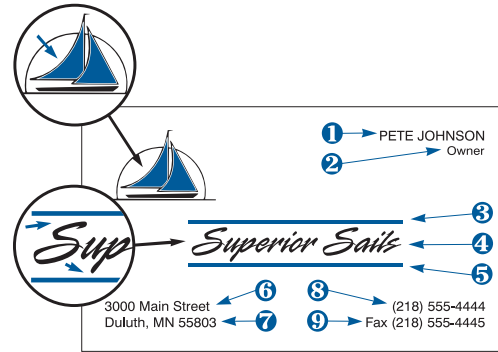
**Proofs:** Black and white proofs are available for \$15.00 each. For proofs that require typesetting and design, see art charges on page 17. Production time starts after proof approval. Press Proofs: 10% of prices of minimum quantity, allow normal production time.

Color proofs are available on all products. This is NOT a press proof and is approximate color only. This proof should be used to evaluate copy, color breaks and art/photo placement. These proofs are available for \$42.00 per side on all products. As with black and white proofs, if typesetting or design is required, additional charges apply.

**Registration:** Registration is when two ink or foil colors touch or when they are printed 1/16" or less apart. (Note: the mainline registers with the ruled lines both top to bottom and left to right). A registration charge applies when more than one ink, foil or embossing runs are touching or printed 1/16" or less apart. Request a quote on registration between:

- Ink & Foil Stamping
- Flat ink and Thermography
- Engraving and any other process

Registration Charges	Up to 1000	Add'l 500
2 Standard Inks	\$19.30	FREE
2 Standard Foils	\$38.60	6.55



**Please visit Navitor.com for further information on submitting files.**

Pantone®, PMS and Pantone Matching System® are Pantone Inc.'s check-standard trademark for color reproduction and color reproduction materials.

## TYPESTYLES (SHOWN IN 14 POINT)

American Garamond BT Roman

Americana BT Roman

Arial MT Std Regular

ITC Avant Garde Gothic Std Book

**BANK GOTHIC LT BT LIGHT**

Baskerville BT Roman

Bauhaus Std Medium

ITC Benguiat Gothic Std Book

Bodoni Bk BT Book

**ITC Bookman Std Medium**

**Brody**

**Brush Script BT**

ITC Cheltenham Std Book

*Commercial Script BT Regular*

**COPPERPLATE GOTHIC STD 32 BC**

**Dom Bold BT Regular**

*Embassy BT Regular*

ENGRAVERS ROMAN BT REGULAR

*English 111 Adagio BT Regular*

*Flemish Script BT Regular*

Friz Quadrata Std Regular

Futura Std Book

**Futura Std Extra Bold**

Goudy Old Style Regular

Helvetica Neue LT Std 55 Roman

**Helvetica Neue LT Std 75 Bold**

**Humanist 521 BT Bold**

**Impress BT Regular**

ITC Kabel Std Book

*Liberty BT Regular*

*Lucia BT Regular*

*Lucida Handwriting Italic*

*Lydian M T Std Cursive*

New Century Schoolbook LT Std Roman

News Gothic Std Medium

**Newtext ITC Std Demi**

*Nuptial Script BT Std Medium*

*Park Avenue Std Medium*

*Penman Script*

*Ribbon 131 BT Regular*

ITC Souvenir Std Light

Square 721 BT Roman

ITC Tiffany Std Medium

Times New Roman MT Std Regular

**Univers LT Std 65 Bold**

University Roman BT Regular

*Vivaldi Std Regular*

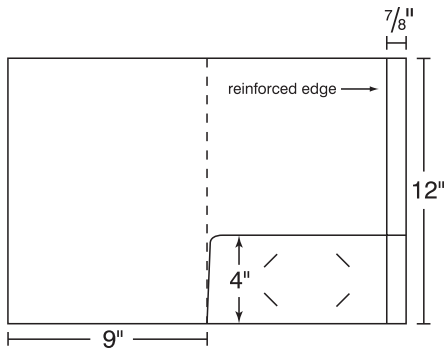
*Wedding Text BT Regular*

Zapf Calligraphic BT Roman

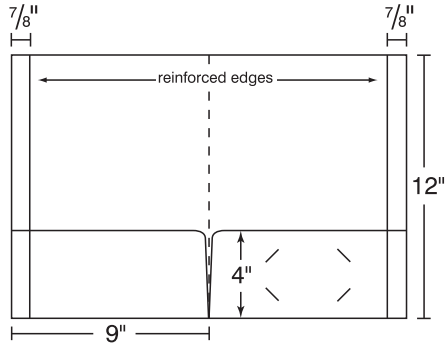
*ITC Zapf Chancery Std Italic*

Zapf Humanist BT Roman

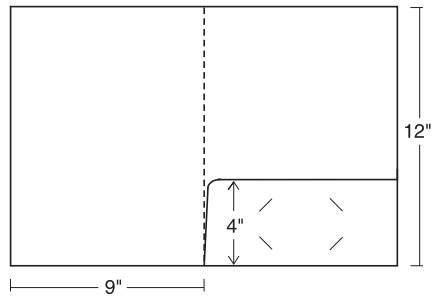
# Presentation Folders



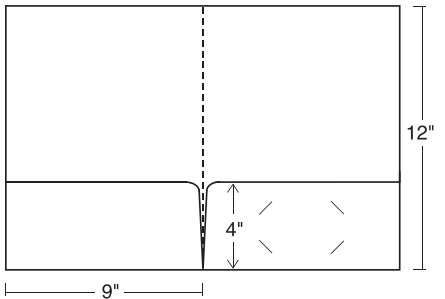
Item Number FLDR-B1



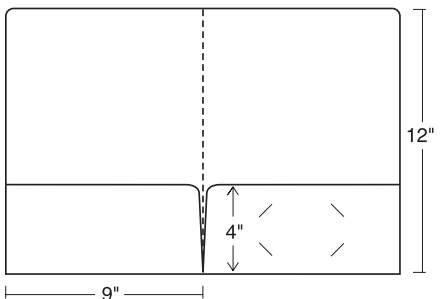
Item Number FLDR-B2



Item Number FLDR-F1



Item Number FLDR-F2



Item Number FLDR-F2RD  
(rounded corners)



**24hr SERVICE**

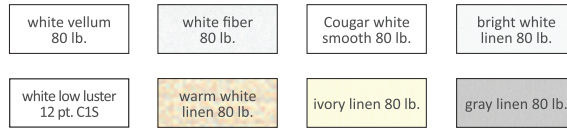
- One easy price means no extra charges or setup costs.
- Standard ground shipping within the continental U.S. is included in the standard pricing listed below.

ink colors\*



\*Available in flat or raised ink

class 1 stocks\*\*



class 2 stocks\*\*



\*\*For a complete stock offering, visit [Navitor.com](http://Navitor.com).

## Secured Pocket Presentation Folders

class 1 stocks	smart art code	50	100	250	500	1000	2000
1 standard ink	1S	\$286.25	300.50	423.45	596.25	929.05	1497.15
2 standard inks	1S	\$355.20	389.70	537.30	726.00	1093.60	1622.40

(R) Prices effective January, 2011

Production time: 24 hours

**PRICE INCLUDES GROUND SHIPPING WITHIN THE CONTINENTAL UNITED STATES.** Please note: the above prices are for class 1 stocks. For all other stocks, please add the prices found below. For more information on Smart Art Codes, visit [www.smart-artwork.com](http://www.smart-artwork.com).

## Additional Stock Options (add charges below to above prices)

	50	100	250	500	1000	2000
class 2	\$19.30	28.90	54.20	84.30	150.55	289.00
class 3	\$35.55	56.85	106.60	154.00	272.40	521.10
class 4	\$56.95	89.45	162.60	233.75	447.20	813.05

(R) Prices effective January, 2011

Production time: 24 hours

For a complete stock offering, visit [Navitor.com](http://Navitor.com).

## Additional Options (add charges below to above prices)

	50	100	250	500	1000	2000
heavy ink coverage	---not available---		\$175.35	187.45	211.60	259.95
uv coating	\$81.60	90.25	117.35	138.65	194.05	252.15
each add'l standard ink color	---not available---		\$172.45	193.15	227.35	293.60
inside copy (above pockets)	---not available---		\$120.95	141.55	177.45	240.85

(R) Prices effective January, 2011

Production time: 24 hours (1 or 2 ink colors)

©2012 Navitor® All Rights Reserved; Prices subject to change without notice.